



**Innovative Technology**

POWERING TRANSACTIONS AND INTERACTIONS

# SMART Coin System

*“Bulk coin feeder,  
hopper and recycler”*



- State of the art bulk coin validator, hopper & recycler
- Lowest cost of ownership
- Eliminates coin starvation
- Market leading coin capacity, acceptance & payout speed
- High security - multi frequency sensing technology



## FEATURES

- Combined bulk coin validator, mixed coin hopper & recycler
- Market leading coin hopper capacity, fully audited and efficient refills
- Validates, discriminates and stores mixed coins
- Minimise distance between coin entry and exit points
- Easy maintenance, free firmware updates and data logging
- Closed loop system



## BENEFITS

- Eliminates coin starvation & the need for multiple hoppers
- Reduces operator collection costs
- Improve operator cashflow with mixed denomination payouts - keep machines running
- Allows for space saving new machine design
- Future proof (easy updates via USB, SD card, PC)
- Full audit traceability - no shrinkage



## Technical Specification

### Power

Requirements: 24V

Standby: 400mA

Running: 3A

Peak: 6.5A

### Protocols

SSP

\*others on request

### Interfaces

USB option

Open collector

### Coin Dimensions

Diameter: 18 - 28.5mm

Thickness: 1.65 - 3.2mm

### Coin Capacity

1400 (€1) or 1050 (€1) or 1500 (quarters)

### Multiple Denomination

Up to 11 denominations

### Mixed Coin Capacity

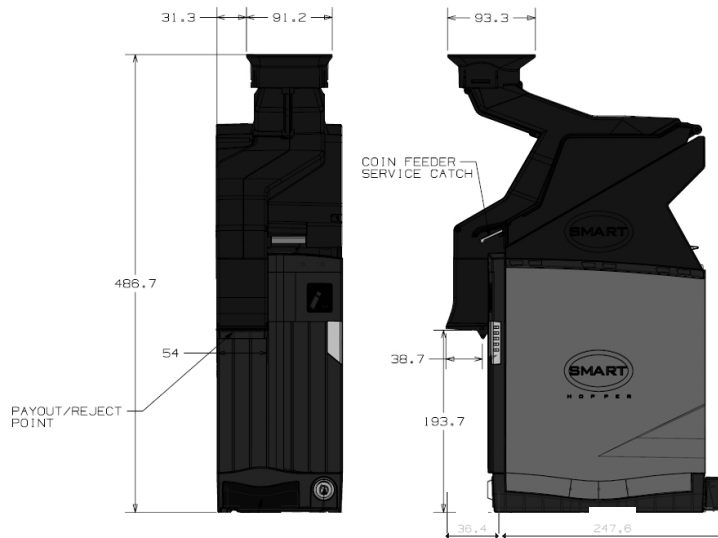
250 (€2) + 700 (€1) + 300 (50c)

### Payout Speed

Up to 12 coins per second

### MCBF

100,000



- Weight: 4kg (empty) | 18kg (full)



### Find Us

#### Head Office

Innovative Technology Ltd (UK)

Innovative Business Park

Derker Street

Oldham

OL1 4EQ



### Telephone

+44 (0) 161 626 9999



### Email

sales@innovative-technology.com